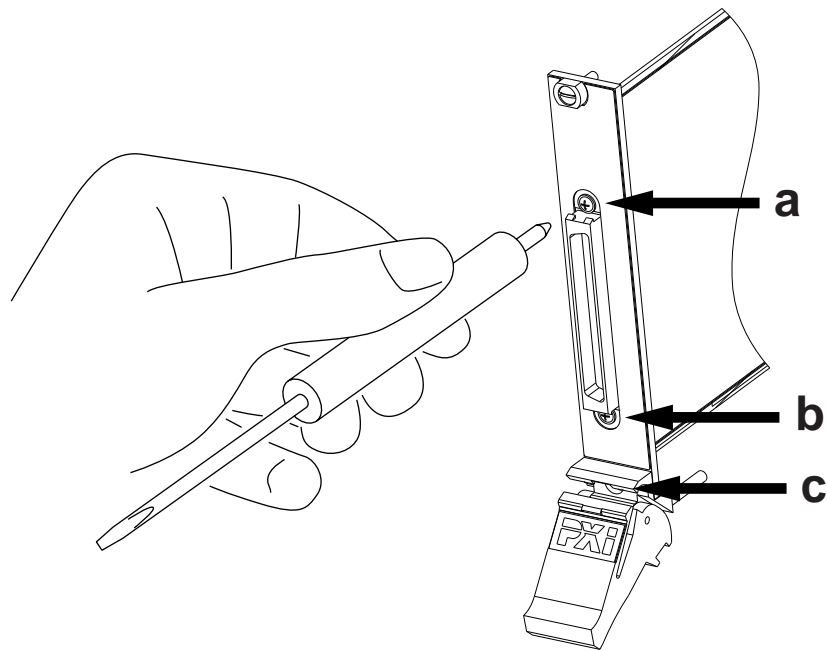
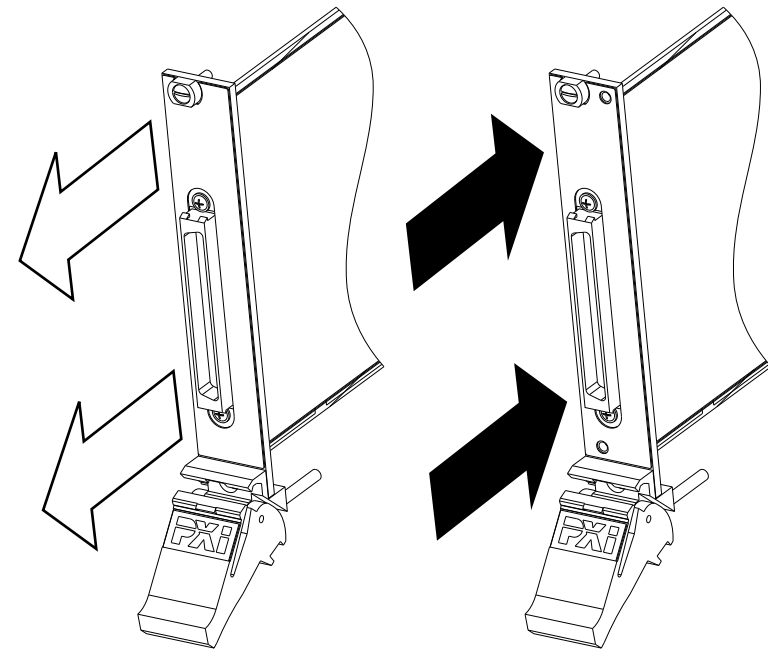


Replacing Your PXI Card's Front Panel with Panel for PXI Terminal Blocks



Remove three screws shown* to detach the PXI front panel.



Remove front panel and replace it with new front panel that includes holes for attaching PXI Terminal Blocks. Replace screws **a** and **b** with screws provided and re-use screw **c**.

*note - screws may vary in appearance from those shown.